

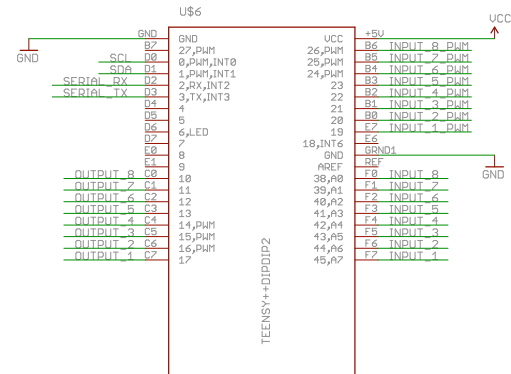
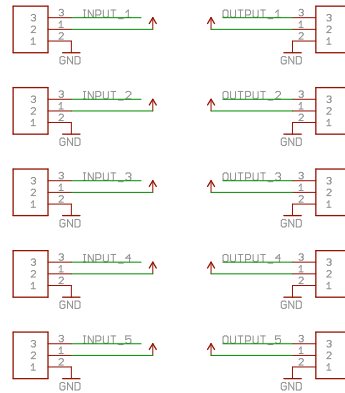
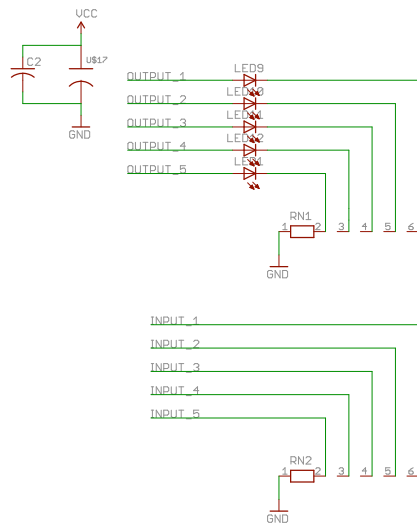
Teagueduino

Copyright 2011 under the Creative Commons Attribution Share-Alike 3.0 License

<http://creativecommons.org/licenses/by-sa/3.0/>

Based off of designs for Arduino, Teensy, and Sparkfun components.

questions? akumpf@teague.com



Teagueduino	
TITLE: Teagueduino2	
Document Number:	REV: 3.0
Date: 9/6/11 10:03 AM	Sheet: 1/1